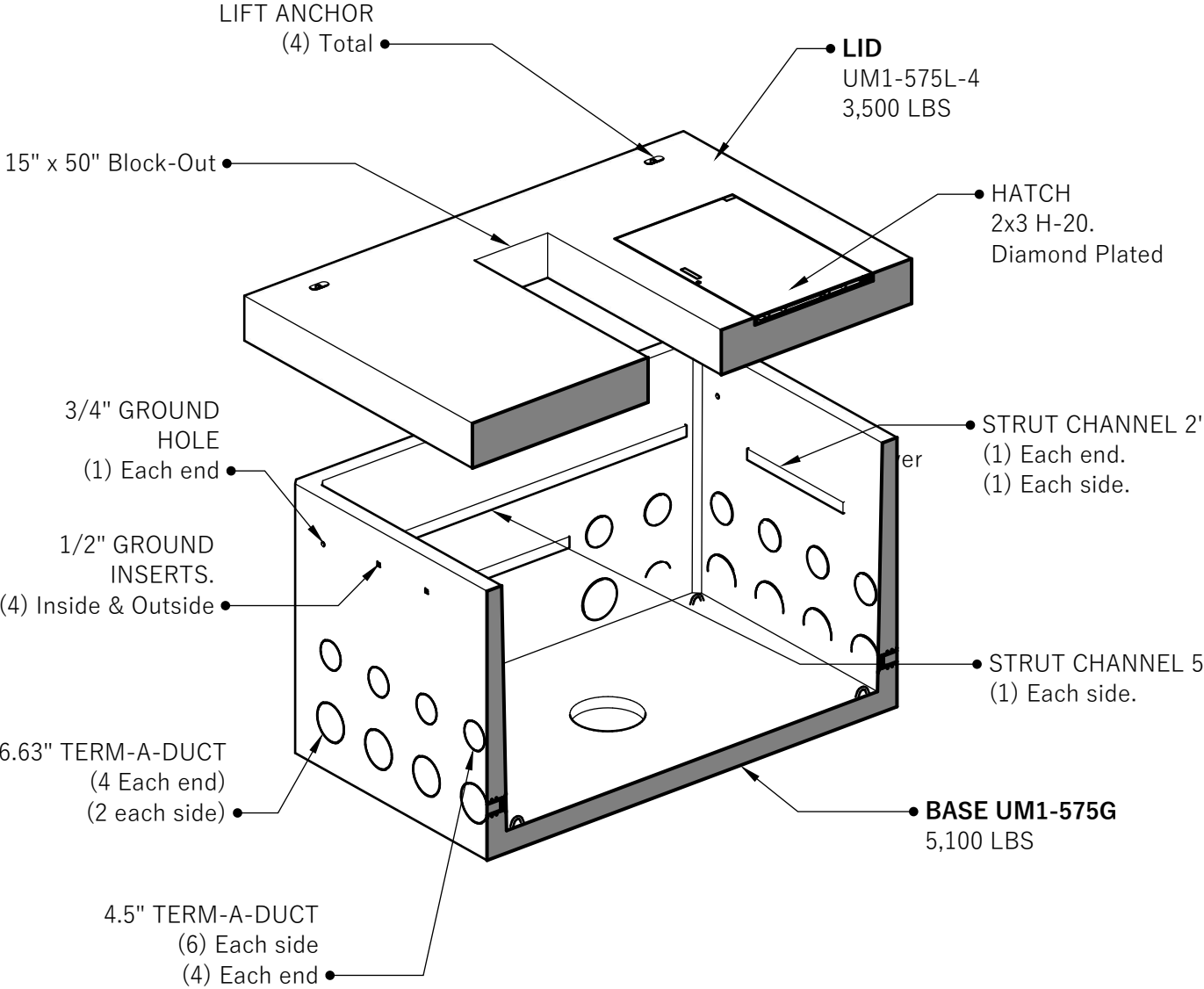


CEC UM1-575L-4

Section AA



Customer:
Project:
Product: CEC UM1-575L-4

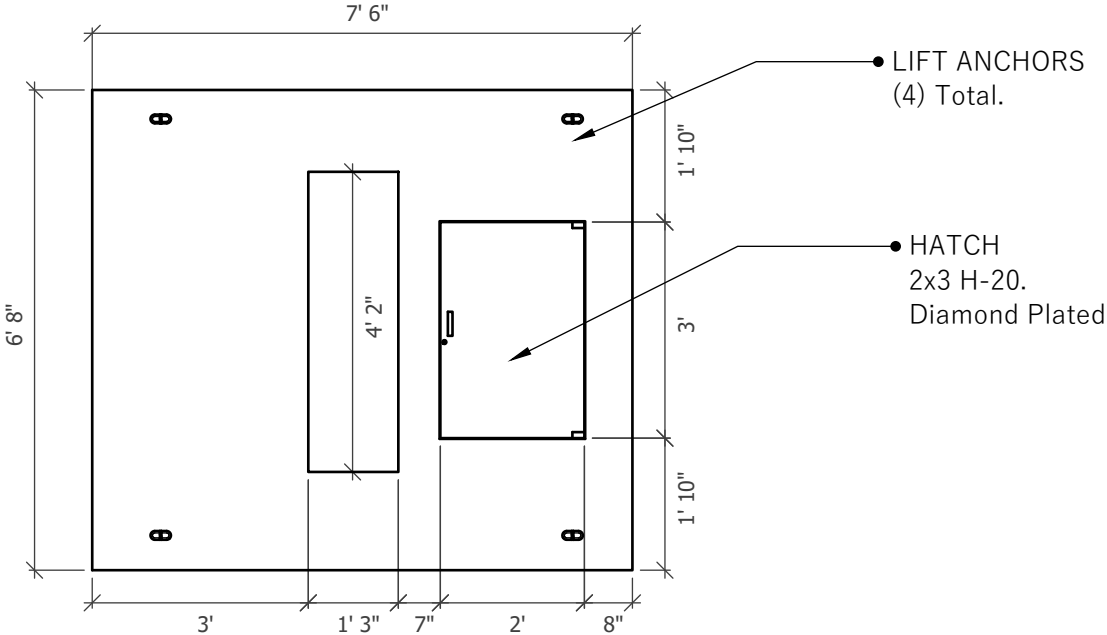


CEC UM1-575L-4

541-923-3272
 1111 NE 11TH ST.
 REDMOND, OR
 97756

CEC UM1-575L-4

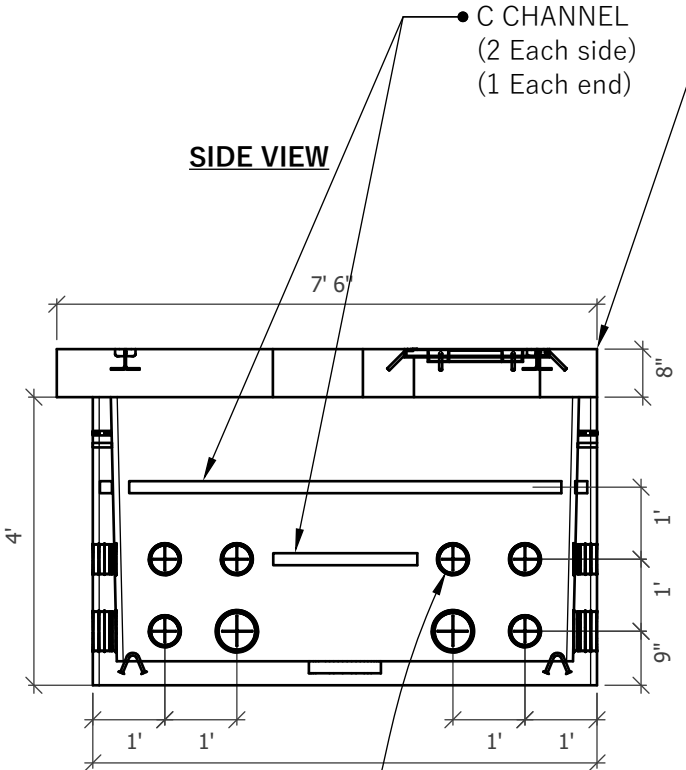
PLAN VIEW



LIFT ANCHORS
(4) Total.

HATCH
2x3 H-20.
Diamond Plated

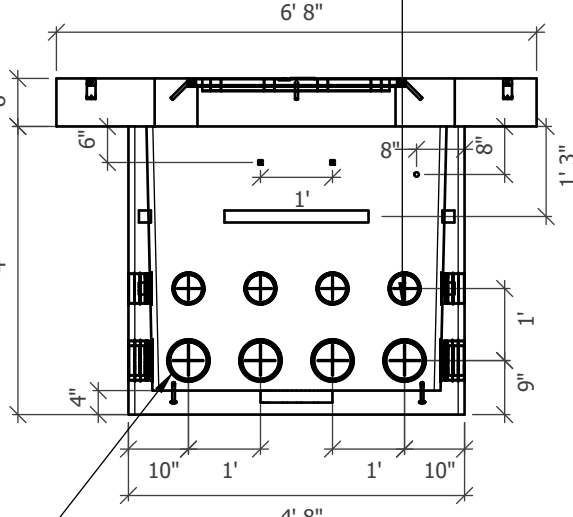
SIDE VIEW



Install this end of cover
flush with outside of
vault wall.

4.5" TERM-A-DUCT
(6) Each side
(4) Each end

END VIEW



4.5" TERM-A-DUCT
(6) Each side
(4) Each end

6.63" TERM-A-DUCT
(4) Each end
(2) each side

Customer:
Project:
Product: CEC UM1-575L-4



CEC UM1-575L-4

541-923-3272
1111 NE 11TH ST.
REDMOND, OR
97756