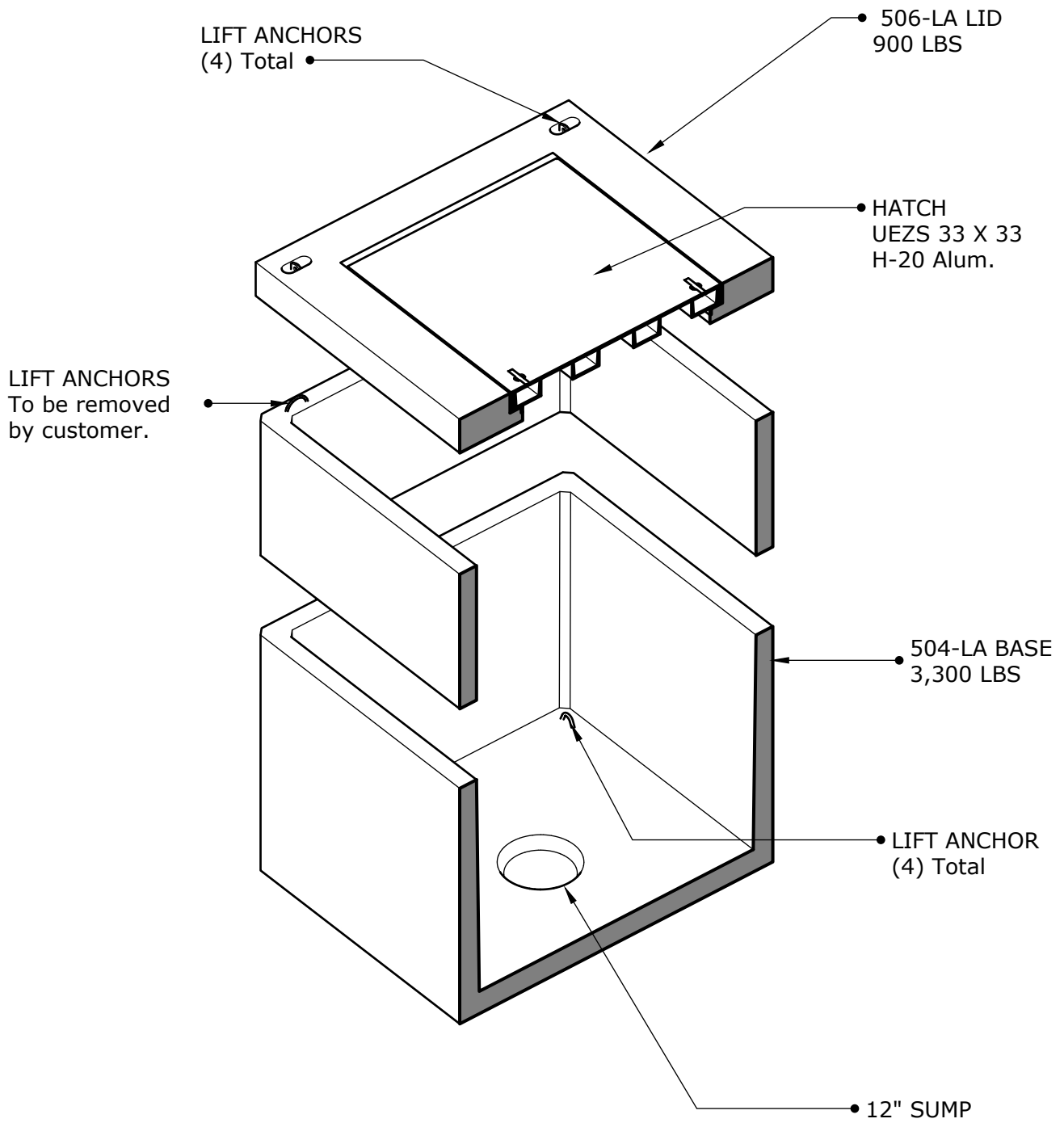


# 506 LA

## SECTION AA



Customer:
Project:
Product: 506 LA



# 506 LA

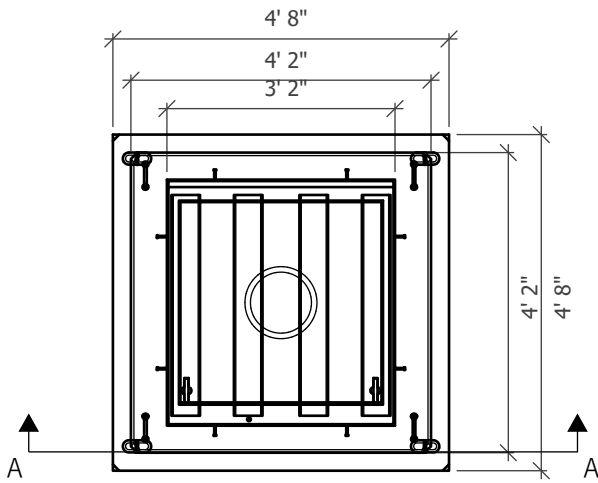
PAGE NUMBER

1

541-923-3272  
1111 NE 11TH ST.  
REDMOND, OR  
97756

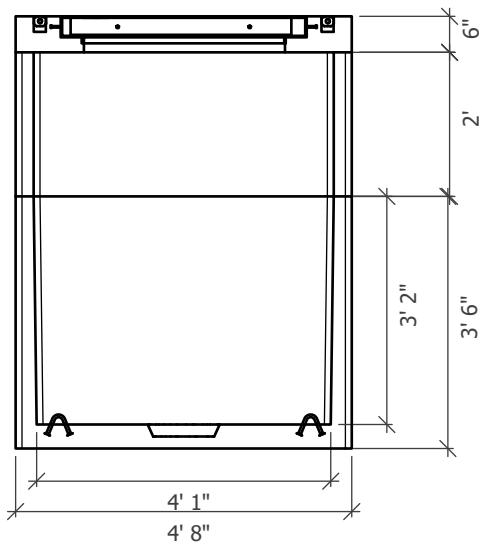
# 506 LA

PLAN VIEW

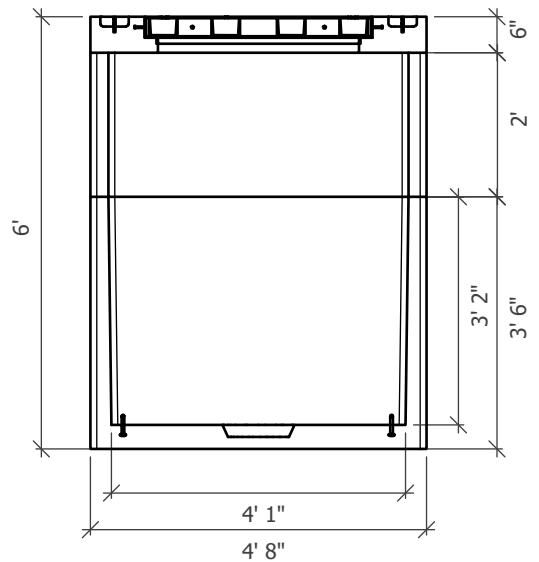


**Notes:**

- \* Strut channel optional.
- \* Duct terminators optional.
- \* Hole coring available.
- \* Knockout optional



SIDE VIEW



END VIEW



**506 LA**

541-923-3272  
1111 NE 11TH ST.  
REDMOND, OR  
97756